



## PULEGGE DENTATE HTD® PER BUSSOLA CONICA

HTD® Timing belt pulleys for taper bushes  
HTD® Zahnriemenscheiben für Spannbuchsen  
Poulies dentées HTD® à moyeu amovible  
Poleas dentadas HTD® para casquillos cónicos

Any questions? Please contact us.

### Morskate Aandrijvingen BV

Oosterveldsingel 47A  
7558 PJ Hengelo (Ov)  
The Netherlands

NL

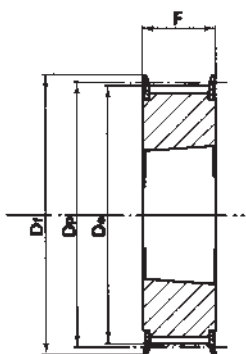
T +31 (0)74 - 760 11 11  
info@morskateaandrijvingen.nl  
www.morskateaandrijvingen.nl

DE

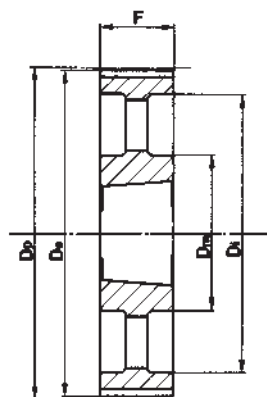
T +49 692 - 222 34 95  
info@morskateantriebstechnik.de  
www.morskateantriebstechnik.de

EN

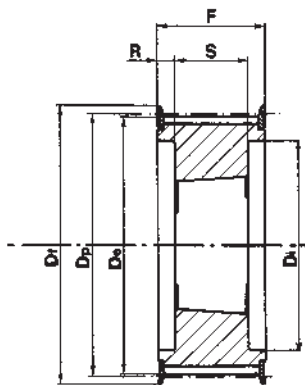
T +31 (0)74 - 760 11 11  
info@morskatedrivetechnology.com  
www.morskatedrivetechnology.com



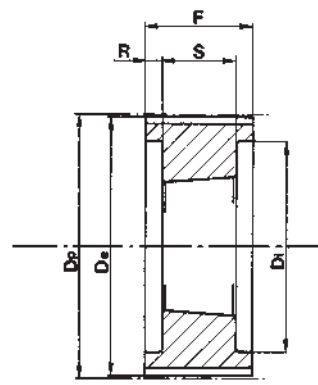
**Tipo / Type**  
**3F**



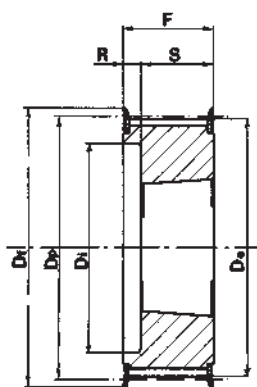
**Tipo / Type**  
**3A**



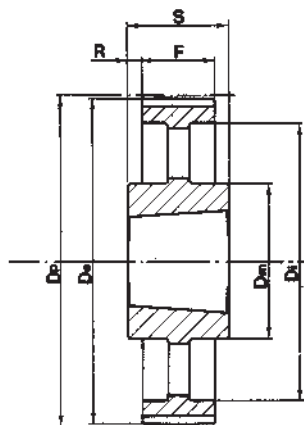
**Tipo / Type**  
**4F**



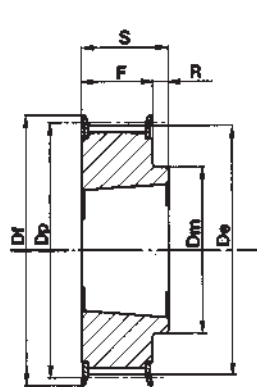
**Tipo / Type**  
**4**



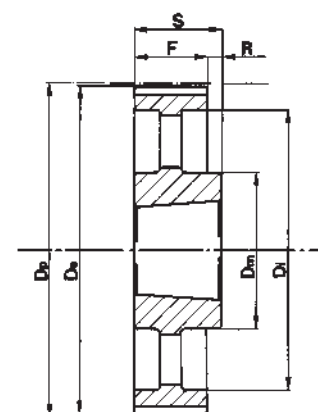
**Tipo / Type**  
**5F**



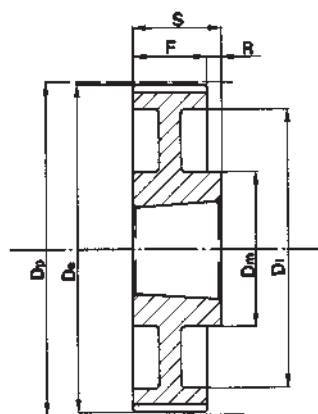
**Tipo / Type**  
**7A**



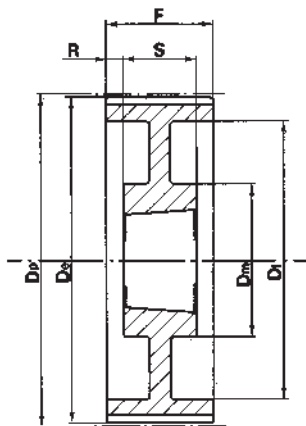
**Tipo / Type**  
**8F**



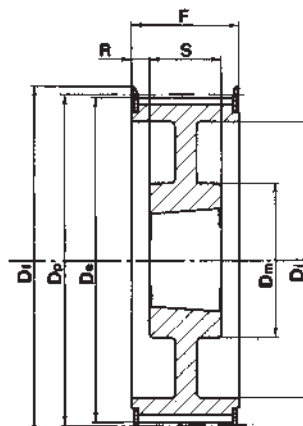
**Tipo / Type**  
**8A**



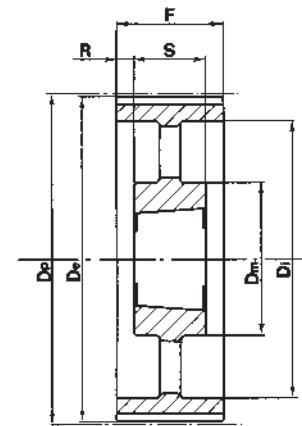
**Tipo / Type**  
**8W**



**Tipo / Type**  
**9W**

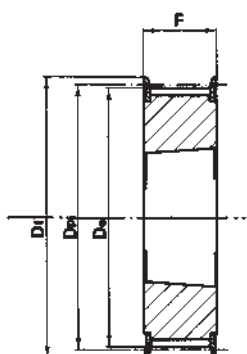


**Tipo / Type**  
**9WF**

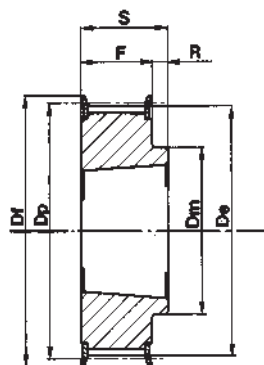


**Tipo / Type**  
**9A**

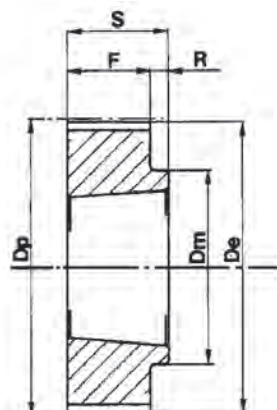
**Pulegge dentate HTD® per bussola conica / HTD® Timing belt pulleys for taper bushes**  
**HTD® Zahnriemenscheiben für Spannbüchsen / Poulies dentées HTD® à moyeu amovible**  
**Poleas dentadas HTD® para casquillos cónicos**



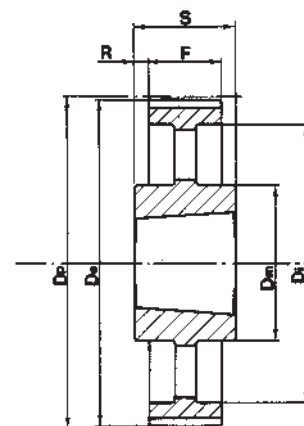
**Tipo / Type**  
**3F**



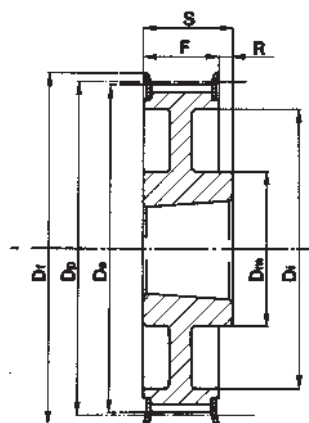
**Tipo / Type**  
**8F**



**Tipo / Type**  
**8**



**Tipo / Type**  
**7A**



**Tipo / Type**  
**8WF**

**HTD® 5M-15**

Caratteristiche Features Merkmale Características	Codice Code symbol Bezeichnung Code symbole Numero de fabrica	Nostro codice Our code Unser Code Notre code Nuestro codigo	Tipo Type Typ Tipo	Codice flangia Flange code Bordscheiben Typ Code flasque Código brida	Bussola Bush Buchse Moyeu Casquillo	Foro max. Max. Bore Max. Bohrung Alesage max. Agujero max.	Dp	De	Df	Dm	Di	F	S	R	Peso Weight / Gewicht Poids / Peso Kg	
Acciaio / Steel / Stahl Acier / Acero	con flangia / with flanges mit Flanges / avec flasques / con tapetas	<b>34 5M 15</b>	<b>0515034</b>	3F	FL020	1008	25	54,11	52,97	57,0	-	-	22	22	-	0,19
	<b>36 5M 15</b>	<b>0515036</b>	3F	FL021	1108	25	57,30	56,15	60,0	-	-	22	22	-	0,20	
	<b>38 5M 15</b>	<b>0515038</b>	3F	FL024	1108	25	60,48	59,34	66,5	-	-	22	22	-	0,26	
	<b>40 5M 15</b>	<b>0515040</b>	3F	FL025	1108	25	63,66	62,52	71,0	-	-	22	22	-	0,31	
	<b>44 5M 15</b>	<b>0515044</b>	3F	FL027	1108	25	70,03	68,89	75,0	-	-	22	22	-	0,41	
	<b>48 5M 15</b>	<b>0515048</b>	8F	FL029	1210	32	76,39	75,25	83,0	59	-	22	25	3	0,45	
	<b>56 5M 15</b>	<b>0515056</b>	8F	FL033	1210	32	89,13	87,98	93,0	70	-	22	25	3	0,75	
<b>64 5M 15</b>	<b>0515064</b>	8F	FL038	1210	32	101,86	100,72	106,0	80	-	22	25	3	1,20		
senza flangia / without flanges ohne Flanschen / sans flasques sin tapetas	<b>72 5M 15</b>	<b>0515072</b>	8	-	1610	42	114,59	113,45	-	92	-	22	25	3	1,35	
	<b>80 5M 15</b>	<b>0515080</b>	8	-	1610	42	127,32	126,18	-	92	-	22	25	3	1,73	
	<b>90 5M 15</b>	<b>0515090</b>	8	-	1610	42	143,24	142,10	-	92	-	22	25	3	2,29	
	<b>112 5M 15</b>	<b>0515112</b>	8	-	2012	50	178,25	177,11	-	110	-	20	32	12	3,71	
	<b>136 5M 15</b>	<b>0515136</b>	7A	-	2012	50	216,45	215,31	-	110	199	20	32	6	3,08	

### HTD® 8M-20

Caratteristiche Features Merkmale Características	Codice Code symbol Bezeichnung Code symbole Numero de fabrica	Nostro codice Our code Unser Code Notre code Nuestro codigo	Tipo Type Typ Type Tipo	Codice flangia Flange code Bordscheiben Typ Code flasque Código brida	Bussola Bush Buchse Moyeu Casquillo	Foro max. Max. Bore Max. Bohrung Alesage max. Agujero max.	Dp	De	Df	Dm	Di	F	S	R	Peso Weight / Gewicht Poids / Peso Kg	
Acciaio / Steel / Stahl Acier / Acero	con flangia / with flanges mit Flanges / avec flasques / con tapetas	<b>22-8M-20</b>	<b>0820022</b>	5F	FL053	1008	25	56,02	54,65	60,0	-	37	28	22	6	0,25
		<b>24 8M 20</b>	<b>0820024</b>	5F	FL069	1108	25	61,12	59,75	66,0	-	44	28	22	6	0,30
		<b>26 8M 20</b>	<b>0820026</b>	5F	FL061	1108	25	66,21	64,84	70,0	-	45	28	22	6	0,36
		<b>28 8M 20</b>	<b>0820028</b>	5F	FL079	1108	25	71,30	69,93	75,0	-	50	28	22	6	0,44
		<b>30 8M 20</b>	<b>0820030</b>	5F	FL073	1108	25	76,39	75,02	83,0	-	58	28	22	6	0,53
		<b>32 8M 20</b>	<b>0820032</b>	5F	FL076	1610	42	81,49	80,16	87,0	-	63	28	25	3	0,42
		<b>34 8M 20</b>	<b>0820034</b>	5F	FL066	1610	42	86,58	85,22	91,0	-	64	28	25	3	0,55
		<b>36 8M 20</b>	<b>0820036</b>	5F	FL068	1610	42	91,67	90,30	97,0	-	68	28	25	3	0,68
		<b>38 8M 20</b>	<b>0820038</b>	5F	FL070	1610	42	96,77	95,39	102,0	-	72	28	25	3	0,80
		<b>40 8M 20</b>	<b>0820040</b>	5F	FL077	1610	42	101,86	100,49	106,0	-	76	28	25	3	1,00
		<b>44 8M 20</b>	<b>0820044</b>	8F	FL075	2012	50	112,05	110,67	120,0	93	-	28	32	4	1,20
		<b>48 8M 20</b>	<b>0820048</b>	8F	FL078	2012	50	122,23	120,86	128,0	96	-	28	32	4	1,60
		<b>56 8M 20</b>	<b>0820056</b>	8F	FL085	2012	50	142,60	141,23	150,0	110	-	28	32	4	2,40
		<b>64 8M 20</b>	<b>0820064</b>	8F	FL090	2012	50	162,97	161,60	168,0	110	137	28	32	4	2,70
<b>72 8M 20</b>	<b>0820072</b>	8F	FL097	2012	50	183,35	181,97	192,0	110	158	28	32	4	3,30		
Ghisa / Cast iron Grauguss / Fonte Hierro fundido	senza flangia / without flanges ohne Flanschen / sans flasques sin tapetas	<b>80 8M 20</b>	<b>0820080</b>	8W	-	2012	50	203,72	202,35	-	110	180	28	32	4	3,50
		<b>90 8M 20</b>	<b>0820090</b>	8A	-	2012	50	229,18	227,81	-	110	204	28	32	4	3,65
		<b>144 8M 20</b>	<b>0820144</b>	8A	-	2517	60	366,69	365,32	-	125	336	28	45	17	4,80

### HTD® 8M-30

Caratteristiche Features Merkmale Características	Codice Code symbol Bezeichnung Code symbole Numero de fabrica	Nostro codice Our code Unser Code Notre code Nuestro codigo	Tipo Type Typ Type Tipo	Codice flangia Flange code Bordscheiben Typ Code flasque Código brida	Bussola Bush Buchse Moyeu Casquillo	Foro max. Max. Bore Max. Bohrung Alesage max. Agujero max.	Dp	De	Df	Dm	Di	F	S	R	Peso Weight / Gewicht Poids / Peso Kg	
Acciaio / Steel / Stahl Acier / Acero	con flangia / with flanges mit Flanges / avec flasques / con tapetas	<b>22 8M 30</b>	<b>0830022</b>	5F	FL053	1008	25	56,02	54,65	60,0	-	37	38	22	16	0,31
		<b>24 8M 30</b>	<b>0830024</b>	5F	FL069	1108	25	61,12	59,75	66,0	-	44	38	22	16	0,38
		<b>26 8M 30</b>	<b>0830026</b>	5F	FL061	1108	25	66,21	64,84	70,0	-	44	38	22	16	0,45
		<b>28 8M 30</b>	<b>0830028</b>	5F	FL079	1210	32	71,30	69,93	75,0	-	50	38	25	13	0,50
		<b>30 8M 30</b>	<b>0830030</b>	3F	FL073	1615	42	76,39	75,02	83,0	-	-	38	38	-	0,55
		<b>32 8M 30</b>	<b>0830032</b>	3F	FL076	1615	42	81,49	80,16	87,0	-	-	38	38	-	0,59
		<b>34 8M 30</b>	<b>0830034</b>	3F	FL066	1615	42	86,58	85,22	91,0	-	-	38	38	-	0,77
		<b>36 8M 30</b>	<b>0830036</b>	3F	FL068	1615	42	91,67	90,30	97,0	-	-	38	38	-	0,96
		<b>38 8M 30</b>	<b>0830038</b>	3F	FL070	1615	42	96,77	95,39	102,0	-	-	38	38	-	1,15
		<b>40 8M 30</b>	<b>0830040</b>	3F	FL077	1615	42	101,86	100,49	106,0	-	-	38	38	-	1,34
		<b>44 8M 30</b>	<b>0830044</b>	4F	FL075	2012	50	112,05	110,67	120,0	-	86	38	32	3	1,33
		<b>48 8M 30</b>	<b>0830048</b>	4F	FL078	2012	50	122,23	120,86	128,0	-	90	38	32	3	1,78
		<b>56 8M 30</b>	<b>0830056</b>	4F	FL085	2012	50	142,60	141,23	150,0	-	110	38	32	3	3,76
		<b>64 8M 30</b>	<b>0830064</b>	8F	FL090	2517	60	162,97	161,60	168,0	125	-	38	45	7	4,20
<b>72 8M 30</b>	<b>0830072</b>	8F	FL097	2517	60	183,35	181,97	192,0	125	158	38	45	7	4,30		
Ghisa / Cast iron Grauguss / Fonte Hierro fundido	senza flangia / without flanges ohne Flanschen / sans flasques sin tapetas	<b>80 8M 30</b>	<b>0830080</b>	8W	-	2517	60	203,72	202,35	-	125	180	38	45	7	4,60
		<b>90 8M 30</b>	<b>0830090</b>	8A	-	2517	60	229,18	227,81	-	125	204	38	45	7	5,00
		<b>112 8M 30</b>	<b>0830112</b>	8A	-	2517	60	285,21	283,83	-	125	254	38	45	7	6,20
		<b>144 8M 30</b>	<b>0830144</b>	8A	-	2517	60	366,69	365,32	-	125	336	38	45	7	9,00

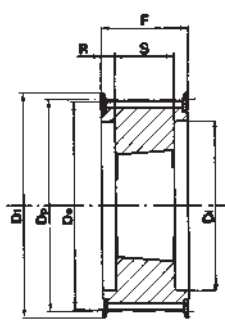
**Pulegge dentate HTD® per bussola conica / HTD® Timing belt pulleys for taper bushes**  
**HTD® Zahnriemenscheiben für Spannbüchsen / Poulies dentées HTD® à moyeu amovible**  
**Poleas dentadas HTD® para casquillos cónicos**

**HTD® 8M-50**

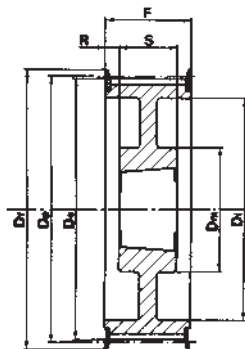
Caratteristiche Features Merkmale Características	Codice Code symbol Bezeichnung Code symbole Numero de fabrica	Nostro codice Our code Unser Code Notre code Nuestro codigo	Tipo Type Typ Type Tipo	Codice flangia Flange code Bordscheiben Typ Code flasque Código brida	Bussola Bush Buchse Moyeu Casquillo	Foro max. Max. Bore Max. Bohrung Alesage max. Agujero max.	Dp	De	Df	Dm	Di	F	S	R	Peso Weight / Gewicht Poids / Peso Kg
Acciaio / Steel / Stahl Acier / Acero	<b>28 8M 50</b>	<b>0850028</b>	4F	FL079	1210	32	71,30	69,93	75,0	-	50	60	25	17,5	0,60
	<b>30 8M 50</b>	<b>0850030</b>	5F	FL073	1615	42	76,39	75,02	83,0	-	58	60	38	22,0	0,65
	<b>32 8M 50</b>	<b>0850032</b>	5F	FL076	1615	42	81,49	80,16	87,0	-	62	60	38	22,0	0,82
	<b>34 8M 50</b>	<b>0850034</b>	5F	FL066	1615	42	86,58	85,22	91,0	-	65	60	38	22,0	1,06
	<b>36 8M 50</b>	<b>0850036</b>	5F	FL068	1615	42	91,67	90,30	97,0	-	68	60	38	22,0	1,30
	<b>38 8M 50</b>	<b>0850038</b>	5F	FL070	1615	42	96,77	95,39	102,0	-	72	60	38	22,0	1,60
	<b>40 8M 50</b>	<b>0850040</b>	4F	FL077	2012	50	101,86	100,49	106,0	-	82	60	32	14,0	1,71
	<b>44 8M 50</b>	<b>0850044</b>	4F	FL075	2012	50	112,05	110,67	120,0	-	91	60	32	14,0	1,78
	<b>48 8M 50</b>	<b>0850048</b>	4F	FL078	2012	50	122,23	120,86	128,0	-	95	60	32	14,0	2,30
	<b>56 8M 50</b>	<b>0850056</b>	4F	FL085	2517	60	142,60	141,23	150,0	-	116	60	45	7,5	3,40
	<b>64 8M 50</b>	<b>0850064</b>	4F	FL090	2517	60	162,97	161,60	168,0	-	137	60	45	7,5	5,00
<b>72 8M 50</b>	<b>0850072</b>	9WF	FL097	2517	60	183,35	181,97	192,0	125	158	60	45	7,5	6,70	
Ghisa / Cast iron Grauguss / Fonte Hierro fundido	<b>80 8M 50</b>	<b>0850080</b>	4	-	3020	75	203,72	202,35	-	-	180	60	51	4,5	8,80
	<b>90 8M 50</b>	<b>0850090</b>	9W	-	3020	75	229,18	227,81	-	170	204	60	51	4,5	10,00
	<b>112 8M 50</b>	<b>0850112</b>	9W	-	3020	75	285,21	283,83	-	170	260	60	51	4,5	12,00
	<b>144 8M 50</b>	<b>0850144</b>	9A	-	3020	75	366,69	365,32	-	170	341	60	51	4,5	15,20
	<b>168 8M 50</b>	<b>0850168</b>	7A	-	3525	90	427,81	426,44	-	198	395	60	65	2,5	17,50
	<b>192 8M 50</b>	<b>0850192</b>	7A	-	3525	90	488,92	487,55	-	198	455	60	65	2,5	24,00

**HTD® 8M-85**

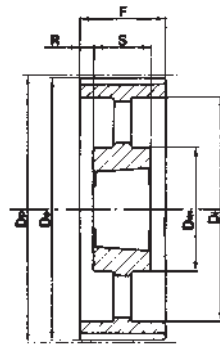
Caratteristiche Features Merkmale Características	Codice Code symbol Bezeichnung Code symbole Numero de fabrica	Nostro codice Our code Unser Code Notre code Nuestro codigo	Tipo Type Typ Type Tipo	Codice flangia Flange code Bordscheiben Typ Code flasque Código brida	Bussola Bush Buchse Moyeu Casquillo	Foro max. Max. Bore Max. Bohrung Alesage max. Agujero max.	Dp	De	Df	Dm	Di	F	S	R	Peso Weight / Gewicht Poids / Peso Kg
Acciaio / Steel / Stahl Acier / Acero	<b>34 8M 85</b>	<b>0885034</b>	4F	FL066	1615	42	86,58	85,22	91,0	-	65	95	38	28,5	1,43
	<b>36 8M 85</b>	<b>0885036</b>	4F	FL068	1615	42	91,67	90,30	97,0	-	68	95	38	28,5	1,87
	<b>38 8M 85</b>	<b>0885038</b>	4F	FL070	1615	42	96,77	95,39	102,0	-	72	95	38	28,5	2,20
	<b>40 8M 85</b>	<b>0885040</b>	4F	FL077	2012	50	101,86	100,49	106,0	-	82	95	32	31,5	1,80
	<b>44 8M 85</b>	<b>0885044</b>	4F	FL075	2012	50	112,05	110,67	120,0	-	91	95	32	31,5	2,30
	<b>48 8M 85</b>	<b>0885048</b>	4F	FL078	2517	60	122,23	120,86	128,0	-	100	95	45	25,0	2,66
	<b>56 8M 85</b>	<b>0885056</b>	4F	FL085	2517	60	142,60	141,23	150,0	-	117	95	45	25,0	4,45
	<b>64 8M 85</b>	<b>0885064</b>	4F	FL090	2517	60	162,97	161,60	168,0	-	137	95	45	25,0	6,20
<b>72 8M 85</b>	<b>0885072</b>	4F	FL097	3020	75	183,35	181,97	192,0	-	158	95	51	22,0	8,00	
Ghisa / Cast iron Grauguss / Fonte Hierro fundido	<b>80 8M 85</b>	<b>0885080</b>	4	-	3020	75	203,72	202,35	-	-	180	95	51	22,0	10,00
	<b>90 8M 85</b>	<b>0885090</b>	9W	-	3020	75	229,18	227,81	-	170	204	95	51	22,0	10,80
	<b>112 8M 85</b>	<b>0885112</b>	9W	-	3020	75	285,21	283,83	-	170	260	95	51	22,0	15,00
	<b>144 8M 85</b>	<b>0885144</b>	9A	-	3525	90	366,69	365,32	-	198	336	95	65	15,0	20,00
	<b>168 8M 85</b>	<b>0885168</b>	9A	-	3525	90	427,81	426,44	-	198	395	95	65	15,0	22,00
	<b>192 8M 85</b>	<b>0885192</b>	9A	-	3525	90	488,92	487,55	-	198	455	95	65	15,0	26,00



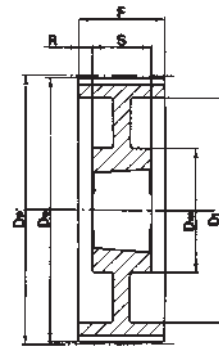
Tipo / Type  
4F



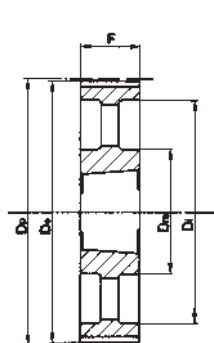
Tipo / Type  
9WF



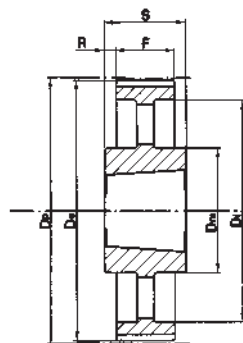
Tipo / Type  
9A



Tipo / Type  
9W



Tipo / Type  
3A



Tipo / Type  
7A

## HTD® 14M-40

Caratteristiche Features Merkmale Características	Codice Code symbol Bezeichnung Code symbole Numero de fabrica	Nostro codice Our code Unser Code Notre code Nuestro codigo	Tipo Type Typ Type Tipo	Codice flangia Flange code Bordscheiben Typ Code flasque Código brida	Bussola Bush Buchse Moyeu Casquillo	Foro max. Max. Bore Max. Bohrung Alesage max. Agujero max.	Dp	De	Df	Dm	Di	F	S	R	Peso Weight / Gewicht Poids / Peso Kg
Acciaio / Steel / Stahl Acier / Acero	28 14M 40	1440028	4F	FL153	2012	50	124,78	122,12	128,0	-	94	54	32	11,0	2,07
	29 14M 40	1440029	4F	FL154	2012	50	129,23	126,57	138,0	-	98	54	32	11,0	2,38
	30 14M 40	1440030	4F	FL154	2012	50	133,69	130,99	138,0	-	98	54	32	11,0	2,65
	32 14M 40	1440032	4F	FL160	2012	50	142,60	139,88	154,0	-	108	54	32	11,0	3,40
	34 14M 40	1440034	4F	FL166	2517	60	151,52	148,79	160,0	-	110	54	45	4,5	3,87
	36 14M 40	1440036	4F	FL168	2517	60	160,43	157,68	168,0	-	120	54	45	4,5	4,80
	38 14M 40	1440038	4F	FL172	2517	60	169,34	166,60	183,0	-	130	54	45	4,5	5,40
	40 14M 40	1440040	4F	FL162	2517	60	178,25	175,49	188,0	-	138	54	45	4,5	6,00
	44 14M 40	1440044	4F	FL175	3020	75	196,08	193,28	211,0	-	155	54	51	1,5	7,80
	48 14M 40	1440048	4F	FL180	3020	75	213,90	211,11	226,0	-	170	54	51	1,5	9,40
Ghisa / Cast iron Grauguss / Fonte Hierro fundido	56 14M 40	1440056	9WF	FL182	3020	75	249,55	246,76	256,0	170	208	54	51	1,5	10,80
	64 14M 40	1440064	9WF	FL184	3020	75	285,21	282,41	296,0	170	240	54	51	1,5	13,40
	72 14M 40	1440072	9W	-	3020	75	320,86	318,06	-	170	280	54	51	1,5	15,20
	80 14M 40	1440080	9A	-	3020	75	356,51	353,71	-	170	315	54	51	1,5	16,00
	90 14M 40	1440090	9A	-	3020	75	401,07	398,28	-	170	360	54	51	1,5	17,80
	112 14M 40	1440112	9A	-	3020	75	499,11	496,32	-	170	457	54	51	1,5	25,60
	144 14M 40	1440144	9A	-	3020	75	641,71	638,92	-	170	600	54	51	1,5	32,00
	168 14M 40	1440168	9A	-	3020	75	748,66	745,87	-	170	706	54	51	1,5	44,00
	192 14M 40	1440192	9A	-	3535	90	855,62	852,82	-	190	813	54	51	1,5	49,00
	216 14M 40	1440216	9A	-	3535	90	962,57	959,76	-	190	920	54	51	1,5	55,00



**Pulegge dentate HTD® per bussola conica / HTD® Timing belt pulleys for taper bushes**  
**HTD® Zahnriemenscheiben für Spannbüchsen / Poulies dentées HTD® à moyeu amovible**  
**Poleas dentadas HTD® para casquillos cónicos**

**HTD® 14M-55**

Caratteristiche Features Merkmale Características	Codice Code symbol Bezeichnung Code symbole Numero de fabrica	Nostro codice Our code Unser Code Notre code Nuestro codigo	Tipo Type Typ Type Tipo	Codice flangia Flange code Bordscheiben Typ Code flasque Código brida	Bussola Bush Buchse Moyeu Casquillo	Foro max. Max. Bore Max. Bohrung Alesage max. Agujero max.	Dp	De	Df	Dm	Di	F	S	R	Peso Weight / Gewicht Poids / Peso Kg
Acciaio / Steel / Stahl Acier / Acero	28 14M 55	1455028	4F	FL153	2012	50	124,78	122,12	128,0	-	94	70	32	19,0	2,20
	29 14M 55	1455029	4F	FL154	2012	50	129,23	126,57	138,0	-	100	70	32	19,0	2,74
	30 14M 55	1455030	4F	FL154	2517	60	133,69	130,99	138,0	-	100	70	45	12,5	2,70
	32 14M 55	1455032	4F	FL160	2517	60	142,60	139,88	154,0	-	108	70	45	12,5	3,66
	34 14M 55	1455034	4F	FL166	2517	60	151,52	148,79	160,0	-	110	70	45	12,5	4,55
	36 14M 55	1455036	4F	FL168	2517	60	160,43	157,68	168,0	-	120	70	45	12,5	5,20
	38 14M 55	1455038	4F	FL172	2517	60	169,34	166,60	183,0	-	130	70	45	12,5	6,20
	40 14M 55	1455040	4F	FL162	2517	60	178,25	175,49	188,0	-	138	70	45	12,5	7,00
	44 14M 55	1455044	4F	FL175	3020	75	196,08	193,28	211,0	-	155	70	51	9,5	8,60
	48 14M 55	1455048	4F	FL180	3020	75	213,90	211,11	226,0	-	170	70	51	9,5	10,40
	56 14M 55	1455056	9WF	FL182	3020	75	249,55	246,76	256,0	170	208	70	51	9,5	12,40
Ghisa / Cast iron / Grauguss Fonte / Hierro fundido	64 14M 55	1455064	9WF	FL184	3020	75	285,21	282,41	296,0	170	240	70	51	9,5	14,50
	72 14M 55	1455072	9W	-	3020	75	320,86	318,06	-	170	280	70	51	9,5	16,20
	80 14M 55	1455080	9A	-	3020	75	356,51	353,71	-	170	315	70	51	9,5	17,50
	90 14M 55	1455090	9A	-	3020	75	401,07	398,28	-	170	360	70	51	9,5	20,10
	112 14M 55	1455112	9A	-	3020	75	499,11	496,32	-	170	457	70	51	9,5	28,40
	144 14M 55	1455144	9A	-	3020	75	641,71	638,92	-	170	600	70	51	9,5	36,20
	168 14M 55	1455168	9A	-	3020	75	748,66	745,87	-	170	706	70	51	9,5	49,00
	192 14M 55	1455192	9A	-	3535	90	855,62	852,82	-	170	813	70	51	9,5	53,00
	216 14M 55	1455216	7A	-	3535	90	962,57	959,76	-	190	920	70	89	9,5	65,80

**HTD® 14M 85**

Caratteristiche Features Merkmale Características	Codice Code symbol Bezeichnung Code symbole Numero de fabrica	Nostro codice Our code Unser Code Notre code Nuestro codigo	Tipo Type Typ Type Tipo	Codice flangia Flange code Bordscheiben Typ Code flasque Código brida	Bussola Bush Buchse Moyeu Casquillo	Foro max. Max. Bore Max. Bohrung Alesage max. Agujero max.	Dp	De	Df	Dm	Di	F	S	R	Peso Weight / Gewicht Poids / Peso Kg
Acciaio / Steel / Stahl Acier / Acero	28 14M 85	1485028	4F	FL153	2517	60	124,78	122,12	128,0	-	98	102	45	28,5	2,70
	29 14M 85	1485029	4F	FL154	2517	60	129,23	126,57	138,0	-	100	102	45	28,5	3,40
	30 14M 85	1485030	4F	FL154	2517	60	133,69	130,99	138,0	-	100	102	45	28,5	3,75
	32 14M 85	1485032	4F	FL160	2517	60	142,60	139,88	154,0	-	108	102	45	28,5	4,80
	34 14M 85	1485034	4F	FL166	2517	60	151,52	148,79	160,0	-	110	102	45	28,5	6,00
	36 14M 85	1485036	4F	FL168	3020	75	160,43	157,68	168,0	-	120	102	51	25,5	5,80
	38 14M 85	1485038	4F	FL172	3020	75	169,34	166,60	183,0	-	130	102	51	25,5	6,80
	40 14M 85	1485040	4F	FL162	3020	75	178,25	175,49	188,0	-	138	102	51	25,5	8,00
	44 14M 85	1485044	4F	FL175	3020	75	196,08	193,28	211,0	-	153	102	51	25,5	11,80
	48 14M 85	1485048	4F	FL180	3020	75	213,90	211,11	226,0	-	170	102	51	25,5	15,10
	56 14M 85	1485056	4F	FL182	3525	90	249,55	246,76	256,0	-	210	102	65	18,5	19,00
Ghisa / Cast iron / Grauguss Fonte / Hierro fundido	64 14M 85	1485064	9WF	FL184	3525	90	285,21	282,41	296,0	190	240	102	65	18,5	23,00
	72 14M 85	1485072	9W	-	3525	90	320,86	318,06	-	190	280	102	65	18,5	25,00
	80 14M 85	1485080	9A	-	3525	90	356,51	353,71	-	190	315	102	65	18,5	26,00
	90 14M 85	1485090	9A	-	3525	90	401,07	398,28	-	190	360	102	65	18,5	27,80
	112 14M 85	1485112	9A	-	3525	90	499,11	496,32	-	190	457	102	65	18,5	36,50
	144 14M 85	1485144	9A	-	3525	90	641,71	638,92	-	190	600	102	65	18,5	48,00
	168 14M 85	1485168	9A	-	3525	90	748,66	745,87	-	190	706	102	65	18,5	60,00
	192 14M 85	1485192	3A	-	4040	100	855,62	852,82	-	190	813	102	102	-	86,00
	216 14M 85	1485216	3A	-	4040	100	962,57	959,76	-	190	920	102	102	-	91,50

HTD® 14M-115

Caratteristiche Features Merkmale Características	Codice Code symbol Bezeichnung Code symbole Numero de fabrica	Nostro codice Our code Unser Code Notre code Nuestro codigo	Tipo Type Typ Type Tipo	Codice flangia Flange code Bordscheiben Typ Code flasque Código brida	Bussola Bush Buchse Moyeu Casquillo	Foro max. Max. Bore Max. Bohrung Alesage max. Agujero max.	Dp	De	Df	Dm	Di	F	S	R	Peso Weight / Gewicht Poids / Peso Kg
Acciaio / Steel / Stahl Acier / Acero	28-14M-115	1411028	4F	FL153	2517	60	124,78	122,12	128,0	-	98	133	45	44,0	3,77
	29-14M-115	1411029	4F	FL154	2517	60	129,23	126,57	138,0	-	100	133	45	44,0	4,00
	30-14M-115	1411030	4F	FL154	2517	60	133,69	130,99	138,0	-	100	133	45	44,0	5,00
	32-14M-115	1411032	4F	FL160	2517	60	142,60	139,88	154,0	-	108	133	45	44,0	6,80
	34-14M-115	1411034	4F	FL166	2517	60	151,52	148,79	160,0	-	110	133	45	44,0	6,80
	36-14M-115	1411036	4F	FL168	3020	75	160,43	157,68	168,0	-	125	133	51	41,0	7,00
	38-14M-115	1411038	4F	FL172	3020	75	169,34	166,60	183,0	-	130	133	51	41,0	8,40
	40-14M-115	1411040	4F	FL162	3020	75	178,25	175,49	188,0	-	138	133	51	41,0	9,20
	44-14M-115	1411044	4F	FL175	3030	75	196,08	193,28	211,0	-	155	133	76	28,5	14,00
	48-14M-115	1411048	4F	FL180	3030	75	213,90	211,11	226,0	-	170	133	76	28,5	17,10
	56-14M-115	1411056	4F	FL182	3535	90	249,55	246,76	256,0	-	208	133	89	22,0	24,80
Ghisa / Castiron / Grauguss Fonte / Hierro fundido	64-14M-115	1411064	9WF	FL184	3535	90	285,21	282,41	296,0	190	240	133	89	22,0	27,00
	72-14M-115	1411072	9W	-	3535	90	320,86	318,06	-	190	280	133	89	22,0	29,00
	80-14M-115	1411080	9A	-	3535	90	356,51	353,71	-	190	315	133	89	22,0	32,00
	90-14M-115	1411090	9A	-	3535	90	401,07	398,28	-	190	360	133	89	22,0	36,50
	112-14M-115	1411112	9A	-	3535	90	499,11	496,32	-	190	457	133	89	22,0	46,00
	144-14M-115	1411144	9A	-	4040	100	641,71	638,92	-	230	600	133	102	15,5	68,00
	168-14M-115	1411168	9A	-	4040	100	748,66	745,87	-	230	706	133	102	15,5	82,60
	192-14M-115	1411192	9A	-	4040	100	855,62	852,82	-	230	813	133	102	15,5	96,00
	216-14M-115	1411216	9A	-	4040	100	962,57	959,76	-	230	920	133	102	15,5	107,00

HTD® 14M-170

Caratteristiche Features Merkmale Características	Codice Code symbol Bezeichnung Code symbole Numero de fabrica	Nostro codice Our code Unser Code Notre code Nuestro codigo	Tipo Type Typ Type Tipo	Codice flangia Flange code Bordscheiben Typ Code flasque Código brida	Bussola Bush Buchse Moyeu Casquillo	Foro max. Max. Bore Max. Bohrung Alesage max. Agujero max.	Dp	De	Df	Dm	Di	F	S	R	Peso Weight / Gewicht Poids / Peso Kg
Acciaio / Steel / Stahl Acier / Acero	38-14M-170	1417038	4F	FL172	3030	75	169,34	166,60	183,0	-	130	187	76	55,5	11,70
	40-14M-170	1417040	4F	FL162	3030	75	178,25	175,49	188,0	-	138	187	76	55,5	13,00
	44-14M-170	1417044	4F	FL175	3535	90	196,08	193,28	211,0	-	153	187	89	49,0	15,00
	48-14M-170	1417048	4F	FL180	3535	90	213,90	211,11	226,0	-	170	187	89	49,0	19,00
	56-14M-170	1417056	4F	FL182	3535	90	249,55	246,76	256,0	-	208	187	89	49,0	28,50
	64-14M-170	1417064	4F	FL184	4040	100	285,21	282,41	296,0	-	240	187	102	42,5	41,00
Ghisa / Castiron / Grauguss Fonte / Hierro fundido	72-14M-170	1417072	9W	-	4040	100	320,86	318,06	-	230	280	187	102	42,5	46,90
	80-14M-170	1417080	9W	-	4040	100	356,51	353,71	-	230	315	187	102	42,5	48,00
	90-14M-170	1417090	9A	-	4040	100	401,07	398,28	-	230	360	187	102	42,5	52,50
	112-14M-170	1417112	9A	-	5050	125	499,11	496,32	-	265	457	187	127	30,0	74,50
	144-14M-170	1417144	9A	-	5050	125	641,71	638,92	-	265	600	187	127	30,0	91,00
	168-14M-170	1417168	9A	-	5050	125	748,66	745,87	-	265	706	187	127	30,0	116,00
	192-14M-170	1417192	9A	-	5050	125	855,62	852,82	-	265	813	187	127	30,0	134,00
	216-14M-170	1417216	9A	-	5050	125	962,57	959,76	-	265	920	187	127	30,0	146,50



**Morskate®**



Any questions? Please contact us.

**Morskate Aandrijvingen BV**

Oosterveldsingel 47A  
7558 PJ Hengelo (Ov)  
The Netherlands

NL

T +31 (0)74 - 760 11 11  
info@morskateaandrijvingen.nl  
www.morskateaandrijvingen.nl

DE

T +49 692 - 222 34 95  
info@morskateantriebstechnik.de  
www.morskateantriebstechnik.de

EN

T +31 (0)74 - 760 11 11  
info@morskatedrivetechnology.com  
www.morskatedrivetechnology.com